

High Speed Hair Dryer

Please read this manual carefully before starting to use the product and keep it for future reference



Scan the QR code for manuals
in multiple languages

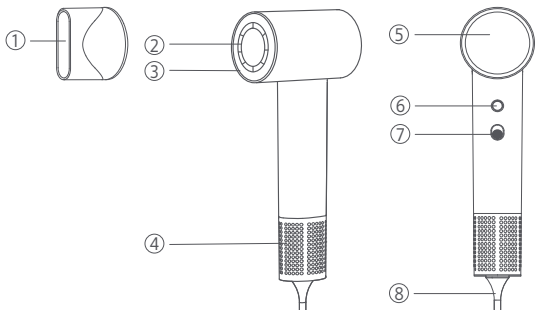
FOIDMI

EN	Page 1 - 14
ES	Página 15 - 29

CONTENTS

Product Introduction	2
Product Use	2
Product Cleaning	3
Basic Parameters	4
Warranty Description	4
EU DECLARATION OF CONFORMITY	5
Product performance failure table	6
Product warranty card	6
Product maintenance record	7
CAUTION	8
Safety Precautions	9
WARNING	9

Product Introduction

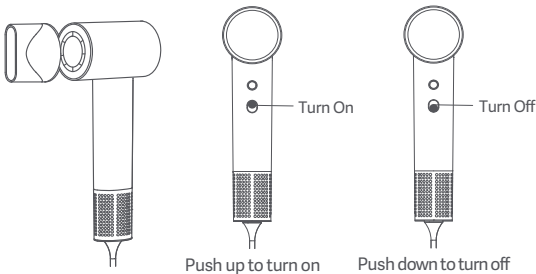


- ① Air-Collecting Nozzle
- ② Air Outlet
- ③ Magnetic Ring
- ④ Air Inlet Filter Cover

- ⑤ Indicator Light
- ⑥ Mode Switch Button
- ⑦ Power Switch
- ⑧ Power Cable

Product Use

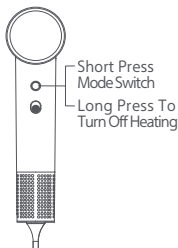
To connect the accessory, you can align the air collector to the magnetic ring, the accessory will be attached instantly; push up to turn on, push down to turn off;



Mode Switch Button

1. In the running state, short press the "mode switch button", it will switch to the next mode, and it will cycle through cold air - warm air - hot air - alternating hot and cold air ;
2. In the running state, press and hold the "mode switch button" for 1 second to turn off the heating in the current mode and only blow air ;

Status Indicato	Wind Temperature State
Blue Light	Cold Wind
Yellow Light	Warm Air
Red Light	Hot Air
White Light	Turn Off Heat, Blow Only
Blue Red Gradient	Alternating Hot And Cold Wind



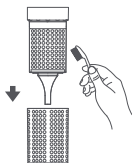
Product Cleaning

Before cleaning the product, please make sure to unplug the product from the power socket. Clean it when it's turned off and after it's cooling down;

1. Wipe the air outlet with a paper towel or towel to remove the attachments such as dust or hair.



2. Use dry lint-free cloth, soft brush, toothbrush and other tools to remove the attachments on the surface of the stainless steel filter screen at the air inlet.



CAUTION

1. After use, please be sure to turn off the power and unplug the socket.
2. It is recommended to clean it regularly. Remove any dust. Any foreign objects attached or blockage.
3. Do not clean the filter with water.

Basic Parameters

Product Name	High Speed Hair Dryer
Rated Voltage	220-240V~
Rated Frequency	50/60Hz
Product Model	CFJ02RM/CFJ02RMG/CFJ02RM*
Rated Power	1300W
Dimensions	233×91×62mm

Warranty Description

This product is guaranteed for a period of 12 months (defined by local law) from the date of purchase against any failure resulting from manufacturing or material defects.

This warranty does not cover damage caused by improper installation, improper use, or normal wear and tear of the product. More specifically, the warranty does not cover:

Damage or problems caused by improper use, accident, alteration or electrical connection of improper intensity or voltage.

Modified products, those whose warranty seal or serial number have been damaged, altered, removed or oxidized.

Failure of the battery due to overcharging or failure to observe the safety instructions explained in the instruction manual.

Cosmetic damage, including scratches, dents, or any other element.

Damage caused by any intervention carried out by an unauthorised person.

Defects caused by normal wear and tear or due to normal ageing of the product.

Software updates due to a change in network setting.

Product failures due to the use of third party software to modify, change or adapt the existing software.

Product failures caused by use without accessories approved by the manufacturer.

Oxidised products.

EU DECLARATION OF CONFORMITY

Equipment

Product: High Speed Hair Dryer
Model: CFJ02RM,CFJ02RMG,CFJ02RM*
Manufacturer
Name: ROIDMI INFORMATION TECHNOLOGY CO., LTD.
Address: 4F,C8 BUILDING,NO.1699 HUIZHAN ROAD,LIFE SCIENCE
AND TECHNOLOGY PARK,HUIZHAN DISTRICT, WUXI,
JIANGSU,PRC
Country: China

This declaration of conformity is issued under the sole responsibility of the manufacturer.

The object of the declaration described above is in conformity with the following relevant Union harmonisation legislation(s):

Name of directive	No.	
Radio Equipment Directive (RED)	2014/53/EU	<input type="checkbox"/>
Low Voltage Directive (LVD)	2014/35/EU	<input checked="" type="checkbox"/>
Electromagnetic Compatibility (EMC)	2014/30/EU	<input checked="" type="checkbox"/>
Restriction of the use of certain hazardous substances (RoHS)	2011/65/EU	<input checked="" type="checkbox"/>
Ecodesign Requirements for energy-related products (ErP)	2009/125/EC	<input checked="" type="checkbox"/>
Labelling and Standard product information of the consumption of energy and other resources by energy-related products (Energy Label)	2010/30/EU	<input type="checkbox"/>
Machinery (MD)	2006/42/EC	<input type="checkbox"/>
Toys safety	2009/48/EC	<input type="checkbox"/>
Packaging and packaging waste	94/62/EC	<input type="checkbox"/>

References to the relevant harmonized standards used, including the date of the standard, or references to the other technical specifications, including the date of the specification, in relation to which conformity is declared:

Harmonized Standard	Notify body
EN 50564:2011	TUV
EN60335-1:2012/A15:2021 EN 60335-2-23:2003/A2:2015 EN 62233:2008	TUV
EN IEC 55014-1:2021 EN IEC 55014-2:2021 EN IEC 6100-3-2:2019/A1:2021 EN6100-3-3:2013/A2:2021	TUV
2011/65/EU	TUV

Signed for and on behalf: ROIDMI INFORMATION TECHNOLOGY CO., LTD.

Place and date of issue: 4F,C8 BUILDING,NO.1699 HUIZHAN ROAD,
LIFE SCIENCE AND TECHNOLOGY PARK,
HUIZHAN DISTRICT, WUXI,JIANGSU,PRC

2022-10-27

Signature:

Name, function:

John Wang, Chief Executive Officer



Product performance failure table

Name	Performance failure
High Speed Hair Dryer	Cannot turn on/off under normal use
	The temperature control button does not work under normal use
	When the machine is running, the heating wire does not work, and the abnormal alarm prompts (the red light flashes)
	When the machine is running, the NTC thermal protection fails, and the abnormal alarm prompts (yellow light flashes)

Terms and conditions of implementation:

To obtain a warranty service, you are requested to return your product to the customer service desk of your retail outlet with your proof of purchase(receipt, invoice,...),the product and its supplied accessories, with its original packaging.

It is important to have the date of purchase ,the model and the serial or IMEI number on hand as information(this information usually appears on the product, the packaging or your proof of purchase).

Failing this, you must return the product with the accessories necessary for its proper operation(power supply, adaptor, etc.).

In the event that your claim is covered by the warranty, the after-sales service may, within the limits of local law, either:

Repair or replace defective parts.

Exchange the returned product with a product that has at least the same functionality and that is equivalent in terms of performance.

Refund the product at the purchase price of the product mentioned on the proof of purchase.

If one of these 3 solutions is used, this does not give rise to the extension or renewal of the warranty period.

Product warranty card

Username		Product name and model	
Mailing address		Product host serial number	
Contact details		Product purchase date	

This warranty card contains consumer personal information, please keep it properly by yourself

Product maintenance record

Repair centre	Fault description	Replacement parts	Maintenance engineer	Repair date



Nos produits et emballages se recyclent, ne les jetez pas!
 Trouvez où les déposer sur le site www.quefairedemesdechets.fr



CORRECT DISPOSAL
 OF THIS PRODUCT



FOR INDOOR USE ONLY



PAP



CLASS II EQUIPMENT



RoHS

Manufacturer:ROIDMI INFORMATION TECHNOLOGY CO., LTD.
 Address: 4F,C8 BUILDING,NO.1699 HUISHAN ROAD,LIFE SCIENCE AND
 TECHNOLOGY PARK,HUISHAN DISTRICT,WUXI,JIANGSU,PRC

Executive Standard: EN 50564:2011 EN 60335-2-23:2003/A2:2015 EN 62233:2008
 EN60335-1:2012/A15:2021 EN IEC 55014-1:2021 EN IEC 55014-2:2021 2011/65/EU
 EN IEC 6100-3-2:2019/A1:2021 EN6100-3-3:2013/A2:2021

Service Email : service@roidmi.com

Enterprise Website: www.roidmi.com/en

No.03.2023

Made in China



⚠ CAUTION

1. Do not use and store this product under extreme adverse conditions, such as extreme temperatures, etc. It is recommended to use it at an ambient temperature of 0-35°C indoors. Please store it in a cool and dry place;
2. Do not swing the body and let children play with it (to avoid the damage to the body);
3. Avoid dropping this product and colliding with other objects, or applying pressure to this product (to avoid fire and electric shock due to malfunction);
4. The parameters in the instructions are only measured in a laboratory environment, and the parameters will be slightly different on each individual product;
5. The illustrations of products, accessories, user interface, etc. in the manual are schematic diagrams and are for reference only. Due to the update and upgrade of the product, the actual product may be slightly different from the schematic diagram, please refer to the actual product.

Safety Precautions

In order to avoid accidental injuries such as electric shock or fire caused by improper use, please read the instruction manual carefully before use and keep it properly for future reference.

WARNING

1. Host and some accessories like air collector contain nozzle magnets. Keep it away from pacemakers, the defibrillators, credit cards and electronic storage devices;
2. Do not place sharp metal objects such as pins near the hair dryer to avoid being adsorbed on the machine and causing harm to you.
3. Do not use this product in

an environment with water near water sources (bathtub, shower, etc.) or in an environment with flammable sources (aerosol, spray);

4. Do not pull or stress the power cord, or wrap the power cord on the product; do not place the product close to a heat source or place it in a place that may damage its protective ability.

5. Do not use the hairdryer for any purpose other than drying hair, such as drying clothes or other items;

6. Do not use on infants or pets to avoid burns;

7. This appliance can be used by children aged from 8 years and above and persons with reduced physical, sensory or

mental capabilities or lack of experience and knowledge if they have been given supervision or instruction concerning use of the appliance in a safe way and understand the hazards involved. Children shall not play with the appliance. Cleaning and user maintenance shall not be made by children without supervision.

8. For additional protection, it is recommended to install a residual current device (RCD) with a rated residual operating current not exceeding 30mA in the electrical circuit of the bathroom, consult the RCD installer;

9. This product is equipped with an automatic reset thermal safety cut-off device

to prevent overheating.

10. This product is equipped with an abnormal automatic protection function. If the product is cut off due to overheating, please pull out the plug from the power outlet, let it cool down, and contact customer service;

11. Please be sure to connect the original power plug to the rated power supply, and ensure that it is inserted all the way to avoid short circuit; and do not touch the plug or the live part of the product with wet hands to prevent electric shock;

12. Do not block the air inlet or outlet during use, and regularly check and clean the air inlet and outlet to maintain the service life and safety of

the hair dryer;

13. The air outlet and metal parts may be hot during use. Please do not touch it to avoid burns;

14. After using it in the bathroom, please unplug it for the safety;

15. Do not immerse the main body of the hair dryer with electrical components in water or other liquids for cleaning. When the hair dryer falls into the water, please unplug it immediately, and do not continue to use it even after drying;

16. Do not use any lubricants, cleaners, polishes or air fresheners on any part of this product;

17. If the hair dryer is abnormal or the power cord is damaged,

in order to avoid danger, do not disassemble it by yourself, and must be replaced by the manufacturer or its maintenance department professionals;

18. Please pull out the plug from the socket before abnormal fault maintenance or cleaning, so as to avoid smoke, fire and electric shock;

19. No action needed from users to shift the product between 50 and 60Hz, product can adapt itself for both 50 and 60Hz;

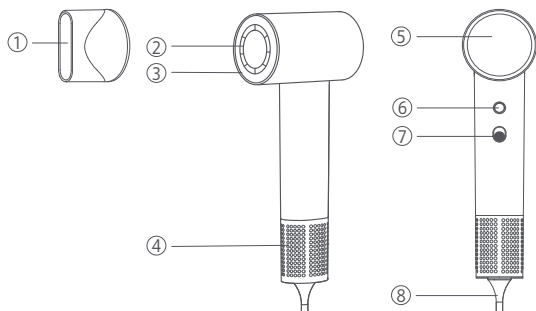


WARNING :
"Do not use
this appliance near water"

CONTENIDO

Introducción	16
Uso del Producto	16
Limpieza del Producto	17
Parámetros Básicos	18
Descripción Garantía	18
EU DECLARACION DE CONFORMIDAD	19
Tabla De Errores De Rendimiento Del Producto	20
Tarjeta De Garantía de Producto	20
Registro de mantenimiento del producto	21
CAUTION	22
Precauciones de seguridad	23
ADVERTENCIA	23

Introducción

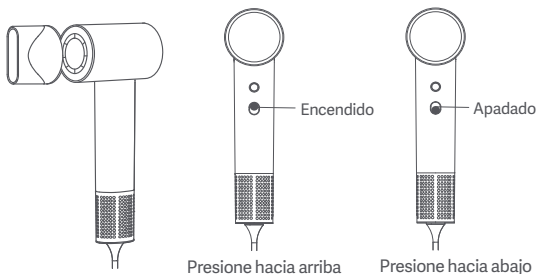


- ① Colector de aire
- ② Salida de Aire
- ③ Anillo Magnético
- ④ Tapa filtro de Aire

- ⑤ Indicador de luz
- ⑥ Botón interruptor
- ⑦ Botón encendido
- ⑧ Cable Alimentación

Uso del Producto

Para conectar el accesorio, puede alinear el colector de aire con el anillo magnético, el accesorio se conectará instantáneamente; presione hacia arriba para encender, presione hacia abajo para apagar



Presione hacia arriba

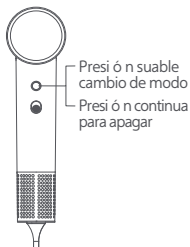
Presione hacia abajo

Bot ó n De Cambio De Modo

1. En el estado de funcionamiento, presione brevemente el "bot ó n de cambio de modo", cambiará al siguiente modo y cambiará a aire frío - aire tibio - aire caliente - alternando aire frío y caliente.

2. En el estado de funcionamiento, mantenga presionado el "bot ó n de cambio de modo" durante 1 segundo, dejara de salir aire caliente y solo soplara aire.

Indicador estado	Estado de la temperatura del aire
Luz Azul	Aire frío
Luz Amarilla	Aire Calido
Luz Roja	Aire Caliente
Luz Blanca	Sin Aire caliente, Solo Aire
Luz Azul-Roja	Alternancia De Aire Frío Y Caliente



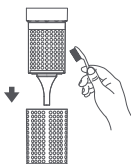
Limpieza del Producto

Antes de limpiar el producto, asegúrese de desenchufarlo de la toma de corriente. Límpielo cuando esté apagado y después de que se enfríe.

1.Limpie la salida de aire con una toalla de papel o una toalla para eliminar los accesorios como el polvo o el cabello.



2.Use un paño seco sin pelusa, un cepillo suave, un cepillo de dientes y otras herramientas para limpiar la superficie de la malla del filtro de acero inoxidable en la entrada de aire.



PRECAUCION

1. Después de su uso, asegúrese de apagarlo y desenchufar el enchufe
2. Se recomienda limpiarlo regularmente. Elimine cualquier polvo. Cualquier objeto extraño adherido o que bloquee.
3. No limpie el filtro con agua.

Parámetros Básicos

Nombre Del producto	Secador de pelo de alta velocidad
Voltage	220-240V~
Frequency	50/60Hz
Modelo	CFJ02RM/CFJ02RMG/CFJ02RM*
Potencia	1300W
Dimensiones	233×91×62mm

Descripcion Garantía

Este producto tiene una garantía por un período de 12 meses (definido por la ley local) a partir de la fecha de compra contra cualquier falla que resulte de defectos de fabricación o materiales.

Esta garantía no cubre los daños causados por una instalación incorrecta, un uso inadecuado o el desgaste normal del producto. Más específicamente, la garantía no cubre:

Daños o problemas causados por uso inadecuado, accidente, alteración o conexión eléctrica de intensidad o voltaje inadecuado.

Productos modificados, aquellos cuyo sello de garantía o número de serie hayan sido dañados, alterados, removidos u oxidados.

Avería de la batería por sobrecarga o incumplimiento de las instrucciones de seguridad explicadas en el manual de instrucciones.

Daño cosmético, incluyendo rayones, abolladuras, o cualquier otro elemento. Daños causados por cualquier intervención realizada por una persona no autorizada.

Defectos causados por el uso y desgaste normal o por el envejecimiento normal del producto.

Actualizaciones de software debido a un cambio en la configuración de la red.

Fallos del producto debido al uso de software de terceros para modificar, cambiar o adaptar el software existente.

Averías del producto provocadas por el uso sin accesorios homologados por el fabricante, Productos oxidados.

EU DECLARACION DE CONFORMIDAD

Equipo

Producto: High Speed Hair Dryer

Modelo: CFJ02RM,CFJ02RMG,CFJ02RM*

Fabricado

Nombre: ROIDMI INFORMATION TECHNOLOGY CO., LTD.

Dirección: 4F,C8 BUILDING,NO.1699 HUIZHAN ROAD,LIFE SCIENCE AND TECHNOLOGY PARK,HUIZHAN DISTRICT, WUXI, JIANGSU,PRC

País: China

Esta declaración de conformidad se emite bajo la exclusiva responsabilidad del fabricante.

El objeto de la declaración descrita anteriormente es conforme con la(s) siguiente(s) legislación(es) de armonización pertinente(s) de la EU:

Nombre de la directiva	No.	
Directiva de equipos de radio (RED)	2014/53/EU	<input type="checkbox"/>
Directiva de baja tensión (LVD)	2014/35/EU	<input checked="" type="checkbox"/>
Compatibilidad electromagnética (CEM)	2014/30/EU	<input checked="" type="checkbox"/>
Restricción del uso de ciertos productos peligrosos Substancias (RoHS)	2011/65/EU	<input checked="" type="checkbox"/>
Requisitos de Ecodiseño para productos relacionados con la energía (ErP)	2009/125/EC	<input checked="" type="checkbox"/>
Etiquetado e información de producto estándar del consumo de energía y otros recursos por productos relacionados con la energía (Etiqueta Energética)	2010/30/EU	<input type="checkbox"/>
Maquinaria (MD)	2006/42/EC	<input type="checkbox"/>
Seguridad de los juguetes	2009/48/EC	<input type="checkbox"/>
Envases y residuos de envases	94/62/EC	<input type="checkbox"/>

Referencias a las normas armonizadas pertinentes utilizadas, incluida la fecha de la norma, o referencias a otras especificaciones técnicas, incluida la fecha de la especificación, en relación con las cuales se declara la conformidad:

Estándar Armonizado	Notificación
EN 50564:2011	TUV
EN60335-1:2012/A15:2021 EN 60335-2-23:2003/A2:2015 EN 62233:2008	TUV
EN IEC 55014-1:2021 EN IEC 55014-2:2021 EN IEC 6100-3-2:2019/A1:2021 EN6100-3-3:2013/A2:2021	TUV
2011/65/EU	TUV

Firmado Por La Empresa: ROIDMI INFORMATION TECHNOLOGY CO., LTD.

Lugar Y Fecha De Emisión: 4F,C8 BUILDING,NO.1699 HUIZHAN ROAD, LIFE SCIENCE AND TECHNOLOGY PARK, HUIZHAN DISTRICT, WUXI,JIANGSU,PRC

2022-10-27

Firma:

Nombre, Funiones:

John Wang, Director Ejecutivo



Tabla De Errores De Rendimiento Del Producto

Nombre	Fallo
Secador De Pelo De Alta Velocidad	No se puede encender/apagar bajo uso normal
	El botón de control de temperatura no funciona en condiciones normales de uso
	Cuando el producto está funcionando, el cable calefactor no funciona, y las indicaciones de alarma anormales (la luz roja parpadea)
	When Cuando el producto está funcionando, la protección térmica NTC falla y se activa la alarma anormal (la luz amarilla parpadea)

Terminos y Condiciones de Implementación:

Para obtener un servicio de garantía, se le solicita que devuelva su producto en el mostrador de atención al cliente de su punto de venta con su comprobante de compra (recibo, factura,.), el producto y sus accesorios suministrados, con su embalaje original.

Es importante tener a mano como información la fecha de compra, el modelo y el número de serie o IMEI (esta información suele aparecer en el producto, en el embalaje o en el comprobante de compra).

En su defecto, deberá devolver el producto con los accesorios necesarios para su correcto funcionamiento (fuente de alimentación, adaptador, etc.).

En el caso de que su reclamo esté cubierto por la garantía, el servicio posventa puede, dentro de los límites de la ley local, ya sea:

Repare o reemplace las piezas defectuosas.

Cambie el producto devuelto por un producto que tenga al menos la misma funcionalidad y que sea equivalente en términos de rendimiento.

Reembolso del producto al precio de compra del producto mencionado en el comprobante de compra.

Si se utiliza una de estas 3 soluciones, esto no da lugar a la extensión o renovación del período de garantía.

Tarjeta De Garantía de Producto

Usuario		Nombre y modelo	
e-mail		Número de serie	
Contact o		Fecha de compra	

Esta tarjeta de garantía contiene información personal del consumidor, consérvela correctamente.

Registro de mantenimiento del producto

Centro reparación	Descripción del fallo	Partes remplazadas	Mantenimiento	Fecha reparación



Nos produits et emballages se recyclent, ne les jetez pas!
 Trouvez où les déposer sur le site www.quefairedemesdechets.fr



RoHS

Fabricado:ROIDMI INFORMATION TECHNOLOGY CO., LTD.
 Direccion: 4F,C8 BUILDING,NO.1699 HUIZHAN ROAD,LIFE SCIENCE AND TECHNOLOGY PARK,HUIZHAN DISTRICT,WUXI,JIANGSU,PRC

Normativas: EN 50564:2011 EN 60335-2-23:2003/A2:2015 EN 62233:2008
 EN60335-1:2012/A15:2021 EN IEC 55014-1:2021 EN IEC 55014-2:2021 2011/65/EU
 EN IEC 6100-3-2:2019/A1:2021 EN6100-3-3:2013/A2:2021

Servicio Email : service@roidmi.com

Website:www.roidmi.com/en

No.03.2023

Made in China



CAUTION

1. No utilice ni guarde este producto en condiciones adversas extremas, como temperaturas extremas, etc. Se recomienda utilizarlo a una temperatura ambiente de 0-35 °C en interiores. Por favor, guárdelo en un lugar fresco y seco.
2. No mueva bruscamente el producto y no deje que los niños jueguen con él (para evitar daños en el producto).
3. Evite dejar caer el producto, golpear con otros objetos o aplicar fuerte presión al producto (para evitar incendios y descargas eléctricas debido a un mal funcionamiento).
4. Los parámetros de las instrucciones se miden en entorno de laboratorio, los parámetros serán ligeramente diferentes en cada producto final.
5. Las imágenes de los productos, los accesorios, la interfaz de usuario, etc. del manual son imágenes dibujadas y solo son para referencia. Debido a la actualización del producto, el producto real puede ser ligeramente diferente de la imagen dibujada, consulte la imagen real producto.

Precauciones de seguridad

Para evitar lesiones accidentales como descargas eléctricas o incendios causados por un uso inadecuado, lea detenidamente el manual de instrucciones antes de utilizarlo y guárdelo correctamente para futuras consultas.

ADVERTENCIA

1. El host y algunos accesorios como el colector de aire contienen imanes de boquilla. Manténgalo alejado de marcapasos, desfibriladores, tarjetas de crédito, dispositivos electrónicos y dispositivos de almacenamiento.
2. No coloque objetos afilados como alfileres cerca del secador de pelo para evitar que sean absorbidos y causen daño.

3. No utilice el producto en un entorno con agua (bañera, ducha, etc.) o en un entorno con elementos inflamables (aerosol, spray).

4. No tire ni estire el cable de alimentación, ni lo enrolle en el producto; no coloque el producto cerca de una fuente de calor ni lo coloque en un lugar que pueda dañar su capacidad protectora.

5. No utilice el secador de pelo para ningún otro propósito que no sea el de secar el cabello, como secar la ropa u otros artículos.

6. No lo use con bebés o mascotas para evitar quemaduras.

7. Este aparato puede utilizarse por niños mayores de 8 años y personas con capacidades

físicas, sensoriales o mentales reducidas o falta de experiencia y conocimiento si han recibido supervisión o instrucciones sobre el uso del aparato de manera segura y comprenden los peligros involucrados. Los niños no deben jugar con el aparato. La limpieza y el mantenimiento del usuario no deben de ser realizados por niños sin supervisión.

8. Para una protección adicional, se recomienda instalar un dispositivo de corriente residual (RCD) con una corriente operativa residual nominal que no exceda los 30 mA en el circuito eléctrico del baño, consulte al instalador de RCD.

9. Este producto está equipado con un dispositivo de corte de

seguridad térmica con restablecimiento automático para evitar el sobrecalentamiento.

10. Este producto está equipado con una función de protección automática anormal. Si el producto se apaga debido a un sobrecalentamiento, desconecte el enchufe de la toma de corriente, deje que se enfríe y comuníquese con el servicio atención al cliente.

11. Asegúrese de conectar el enchufe de alimentación original a la fuente de alimentación nominal y asegúrese de que esté insertado completamente para evitar cortocircuitos, no toque el enchufe o la parte activa del producto con las manos mojadas para evitar descargas eléctricas.

12. No bloquee la entrada o salida de aire durante el uso, revise y limpie regularmente la entrada y salida de aire para mantener la vida útil y la seguridad del secador de pelo.

13. La salida de aire y las partes metálicas pueden estar calientes durante el uso. Por favor, no las toque para evitar quemaduras.

14. Después de usarlo en el baño, desconéctelo por seguridad.

15. No sumerja el cuerpo principal del secador de pelo con componentes eléctricos en agua u otros líquidos para limpiarlo. Cuando el secador de pelo caiga al agua, desenchúfelo inmediatamente y no continúe usándolo incluso después del secado.

16. No utilice lubricantes,

limpiadores, abrillantadores o ambientadores en ninguna parte de este producto.

17. Si el secador de pelo no funciona correctamente o el cable de alimentación está dañado, para evitar peligros, no lo desmonte usted mismo, debe de ser reemplazado por el fabricante o los profesionales del servicio postventa.

18. Extraiga el enchufe del enchufe de la pared antes de un mantenimiento o limpieza inusual, para evitar humo, fuego y descargas eléctricas.

19. No se necesita ninguna acción por parte de los usuarios para usar el producto entre 50 y 60 Hz, el producto se puede adaptar tanto para 50 Hz como para 60 Hz.



AVISO
" No utilice este aparato
cerca del agua. "